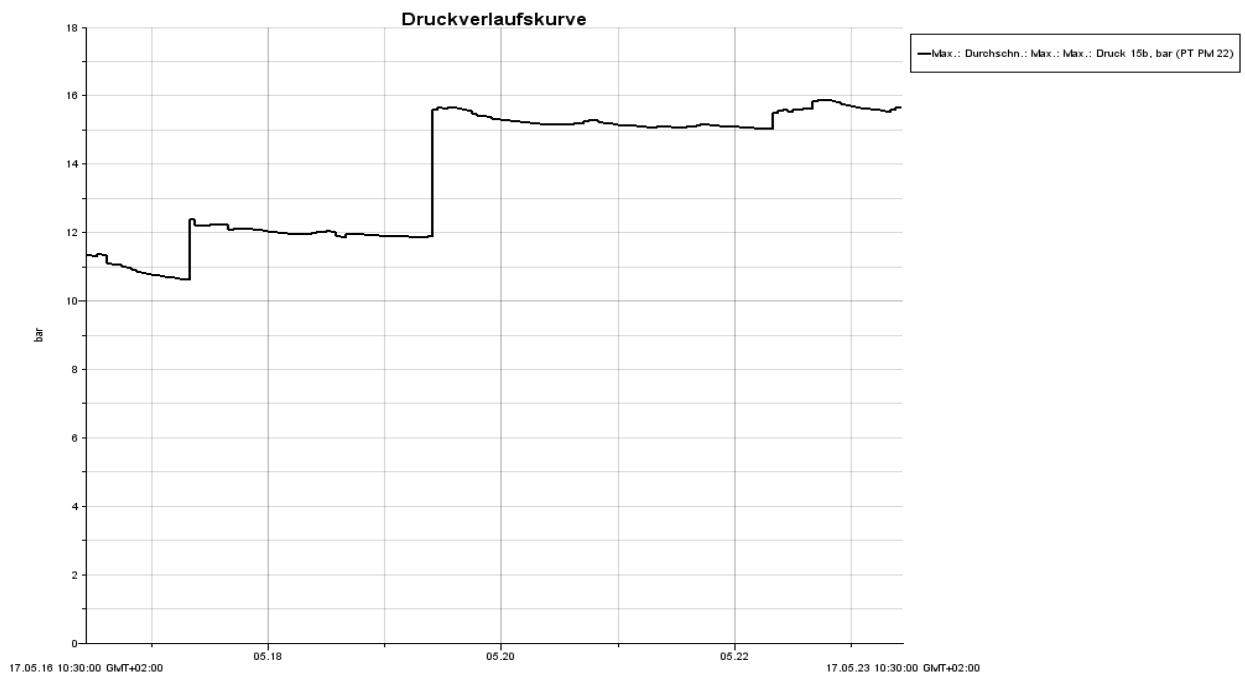


Test report

Test No. 17-0097.1
Client: KAISER / SEIKA
CTF Certificate: CTF Certificate No. 15-IK-0230.02 Stage 3, valid until 2017-12-31
Test sample: 2 x 1100.17.98, one at the inside and one at the outside of the waterpressure-chamber
Testcable: Customer-cable Oilflex Petro FD 865 CP 5G1 ø approx. 10.0 mm
Test standard: **IEC EN 60529:2001 + A1:2000** - Degrees of protection provided by enclosures (IP Code)
Test procedure: **Sec. 14.2.8**, continuous immersion IPX8: > 10 bar / > 3 Days, following > 15 bar / > 4 Days
Test equipment / No: Water pressure test apparatus Agro / PT PM 22 (see pictures below)
Tested by: Rene Haenggi, Manager Testlaboratory
Date: 2017-05-23
Signature: 

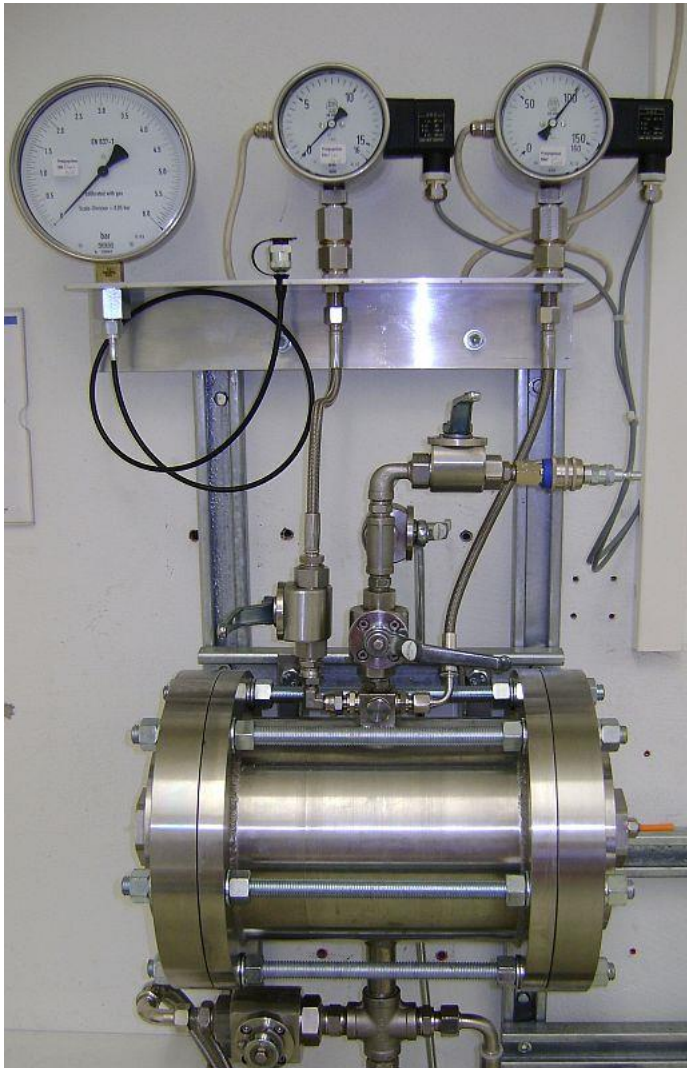
| Test sample | | Characteristic | Value / Remark |
|----------------|---|--|----------------------------------|
| 2 x 1100.17.98 | ☑ | > 10.0 bar / > 3 Days > 15.0 bar / > 4 Days | No pressure decrease, no leakage |

Pressure curve

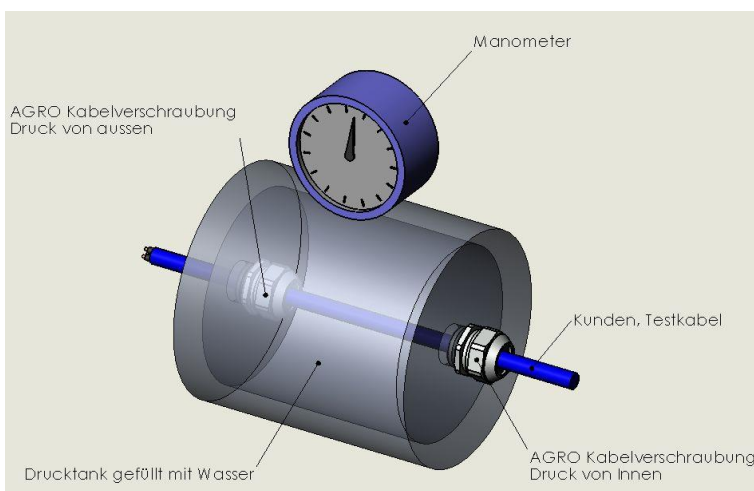


Legend:

X-Axis: Time
 Y-Axis: Pressure [bar]



Water pressure - testing plant
Testing pressure up to 10MPa
(100bar).
The manometers are connected
with a datalogger (Ideal for the
graphic pressure course of the
IP-test)



Test assembly
according IPX8 IEC EN 60529