

Fixing plates from stainless steel for sensorboxes

Application

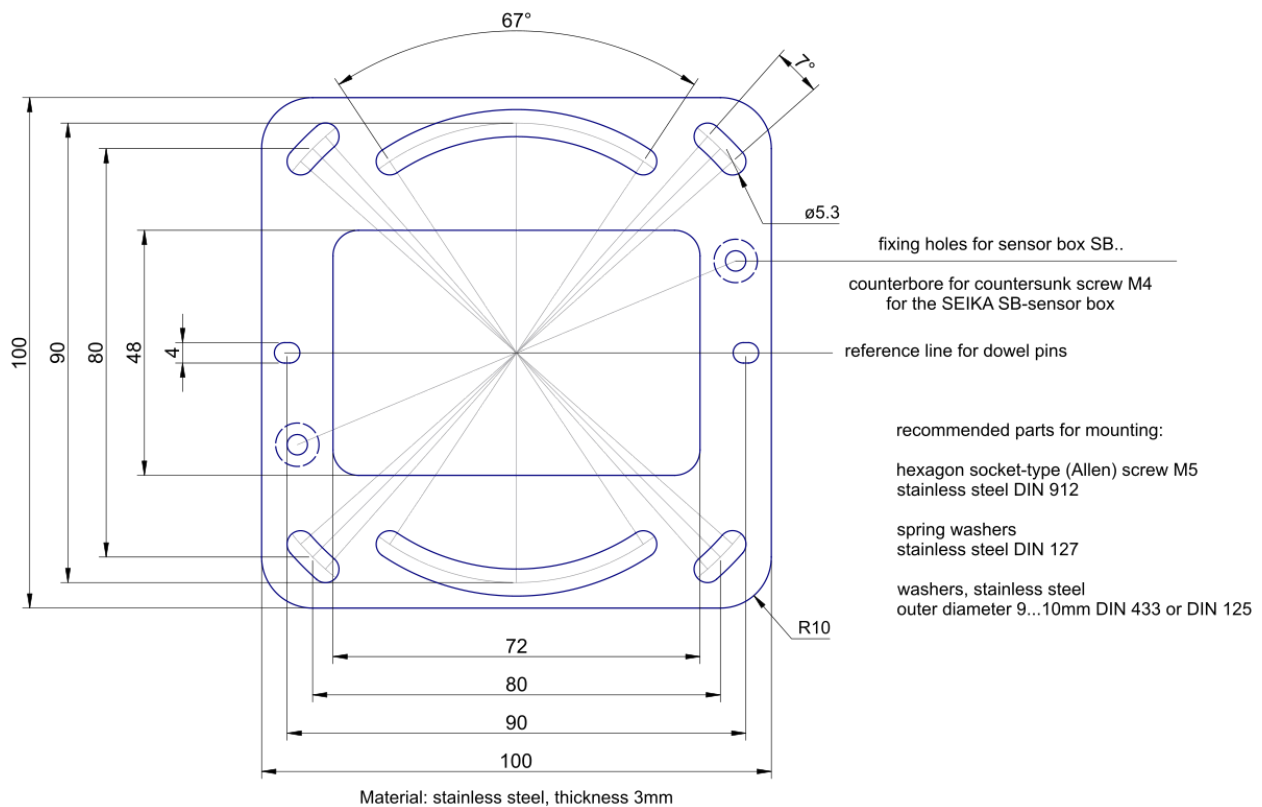
The fixing plates are used for the simplified fixing and positioning of the sensorboxes SB.. at the point of measurement, without the sensorbox must be opened for this purpose.

Specifications

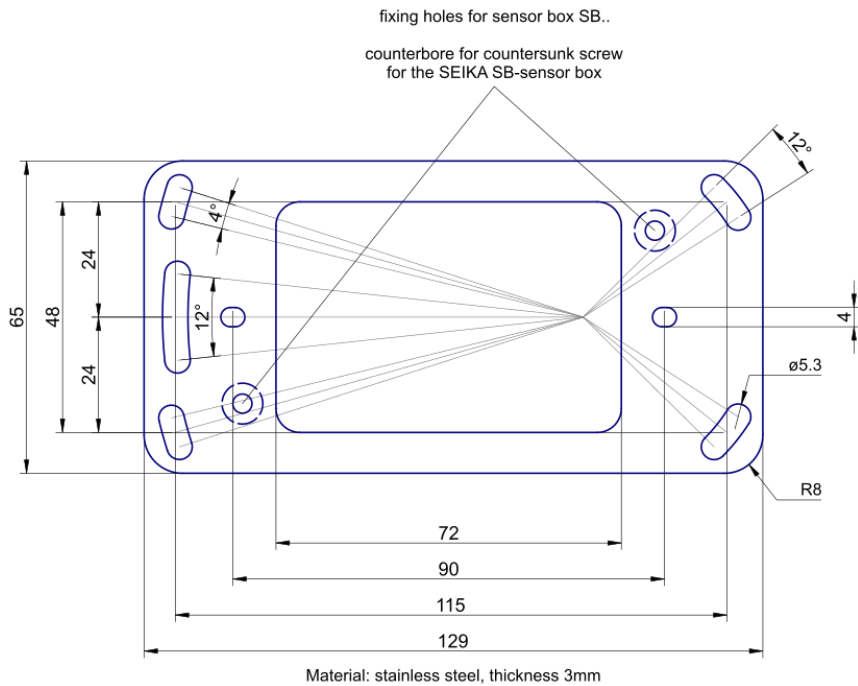
Material	stainless steel
Weight SBBS1, SBBB1, SBBW1 without sensorbox	102g, 128g, 272g
Weight accessories (screws and tapped bushings)	approx. 10g
Dimensions	see dimension drawings

Accessories, i.e. screws and tapped bushings to connect the sensorbox to the fixing plate, are included

Dimensions SBBB1 (in mm)



Dimensions SBBS1 (in mm)



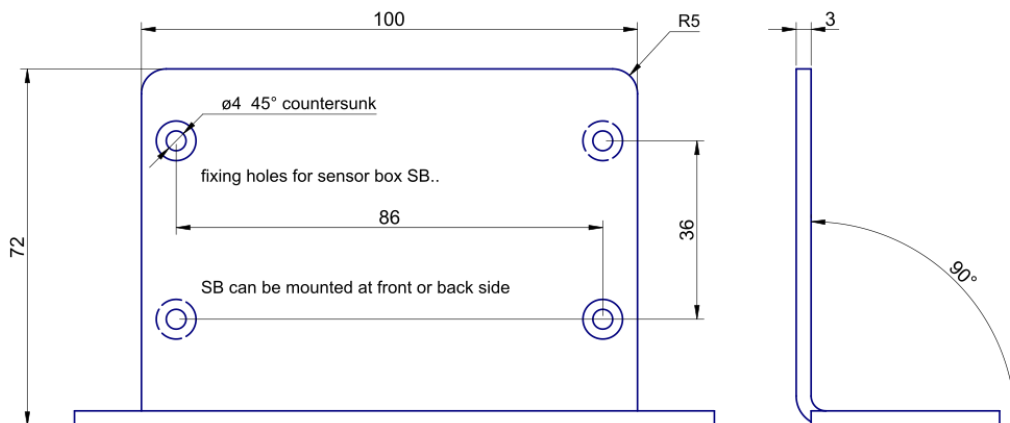
recommended parts for mounting:

hexagon socket-type (Allen) screw M5, stainless steel DIN 912

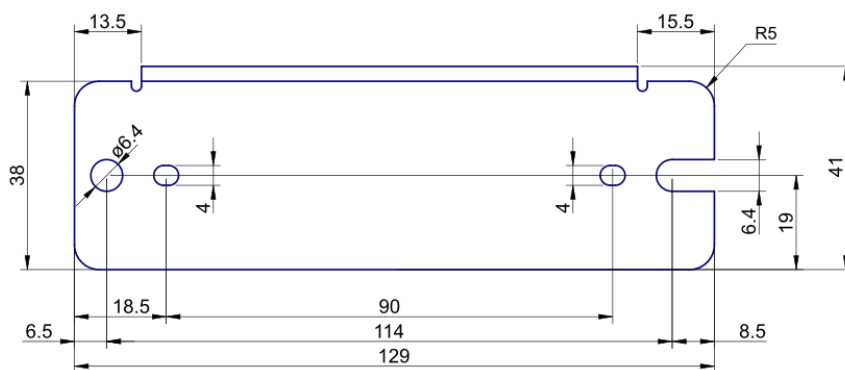
spring washers stainless steel DIN 127

washers, stainless steel outer diameter 9...10mm DIN 433 or DIN 125

Dimensions SBBW1 (in mm)



Material: stainless steel, thickness 3mm



recommended parts for mounting:

hexagon socket-type (Allen) screw M6 stainless steel DIN 912

spring washers stainless steel DIN 127

washers, stainless steel DIN 433 or DIN 125